

RC Solid State Brushed Motor ESC/Bow Thruster Module



Thank you for purchasing one of our RC Modules. We hope it will give you many years of trouble free service. If you have any problems with your module, please either email or contact our technical support helpline first on the number provided on the last page. We are sorry that it is a mobile number, but we work between three sites and find that our mobiles are far more versatile for our non –electronic communication needs.

Before pressing your switching module into service, please carefully read through the installation drawings, notes and information below.

It may well be we are 'trying to tell Grandma How To Suck Eggs' but just sometimes as we find, information is priceless knowledge, and in our case, a knowledge which we have gained over 40 years of Avionic Electronic Engineering Design and Construction experience.

Please follow the wiring protocol as in the drawing. The Conductors/Ports are clearly marked 'Load' and 'Batts' in the Drawing Do not connect them to anything other than what is described. The 'Load' is your Motor Winch/Bow Thruster Connections. 'Batts' is your Battery Pack or Power Source.

Please be advised that this module is unsuitable for use with Johnson 540 & 60 type Drill/Screwdriver Motors as sold on auction websites (Please read the review 'Bad 540 Motors' on Model Boat Mayhem (<http://www.modelboatmayhem.co.uk/>) Electric Motors – Fast Motors – Bad 540 Motors)

Irreparable damage will occur to the internal components of the module if you:

Short Circuit The 'Load' Connections.

Cross Polarise The Supply (Batts) Connections (Positive on Negative, Negative on Positive)

Exceed the Module Control Supply Voltage – 5.5v

Allow water or fluid to enter the module.

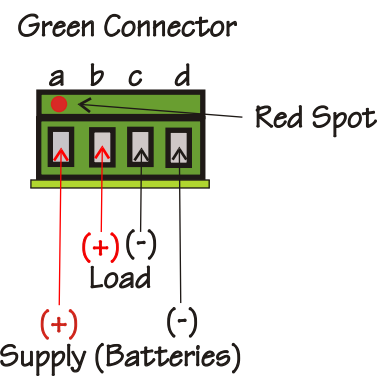
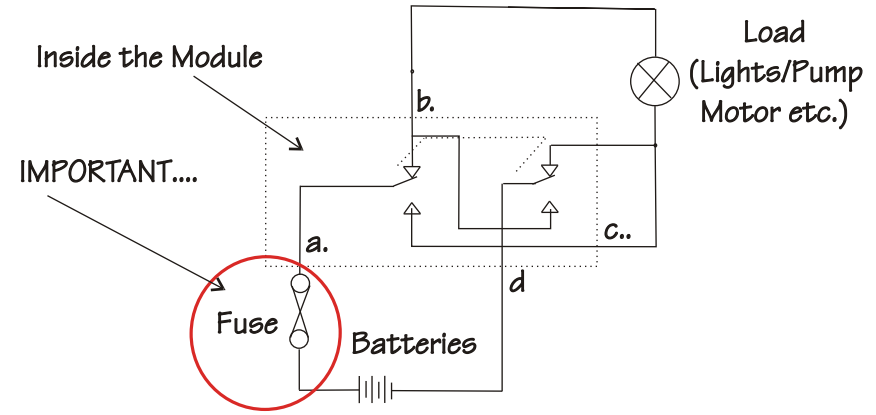
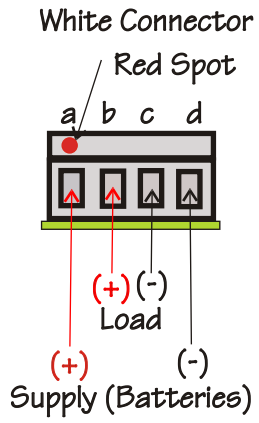
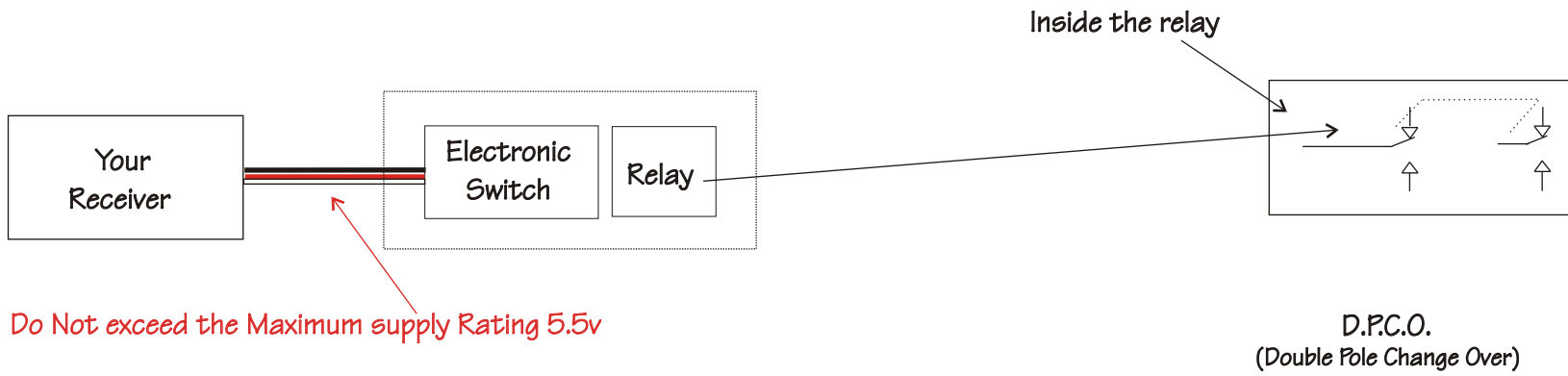
Always use a Fuse in the 'Batt' (Supply) Line. This will help protect the Module from a possible Short Circuit or overload. It will also prevent your precious model/project from going up in smoke (Glass Fibre and ABS Burns Also!) if there is such an event.

*** IMPORTANT***

This Module incorporates Finger Safety Soft Start Technology which means that the module will not initialise unless it sees a 'Centre Stick' (Dead Stick) signal for 15 Seconds. Before Powering the Receiver, a 'Best Practice' is to Switch On the Transmitter with all Sticks/Rotary Knobs in Centre/Neutral Position **FIRST**. If by chance you power the receiver first with the Stick/Rotary Knob on your Control Channel in any other position other than Off, the Decoder will invalidate the signal for 50 seconds, it will then need a Reverse Stick/Rotary Knob signal before it will turn the Motor on. You should then be able to control the speed and direction of your Motor by throwing the Stick/Rotary Knob slowly from Centre/Neutral Position to fully Forward or Reverse Positions. This Built in Safety Feature prevents you from accidentally running up your Propellers in full or partial power.

Should you need technical support for your purchase, please call between 9am and 5pm Monday to Friday.

Email: support@mr-rcworld.co.uk



IMPORTANT...
Please be advised that this module is unsuitable for use with Johnson 540 & 60 type drill/screwdriver motors as sold on auction websites. (Please read the Text on page 1.)

Ensure you have the terminals secured to correct polarity (Positive - Positive etc.) BEFORE connecting the Batteries.

If you Mis-Connect the Module and Power it up Irreparable Damage will occur.

Resistors, Diodes, Suppression Capacitors LED's and Fuses can be purchased from our On-Line Store at www.mr-rcworld.co.uk

| | | |
|---|-------------------|--------------------|
| Rev No | | MR RC-WORLD |
| May 2009 | | |
| RC BRUSHED MOTOR ELECTRONIC SPEED CONTROLLER (ESC) FOR BAIT BOATS/ RC MODEL BOATS TUG-BOATS AND BOW THRUSTERS | | |
| | | |
| Scale 1:1 | Drawing No 1 of 2 | |